

Designed JSK 08/07/16

Drawn JSK 08/07/16

All dimensions in mm

Notes:

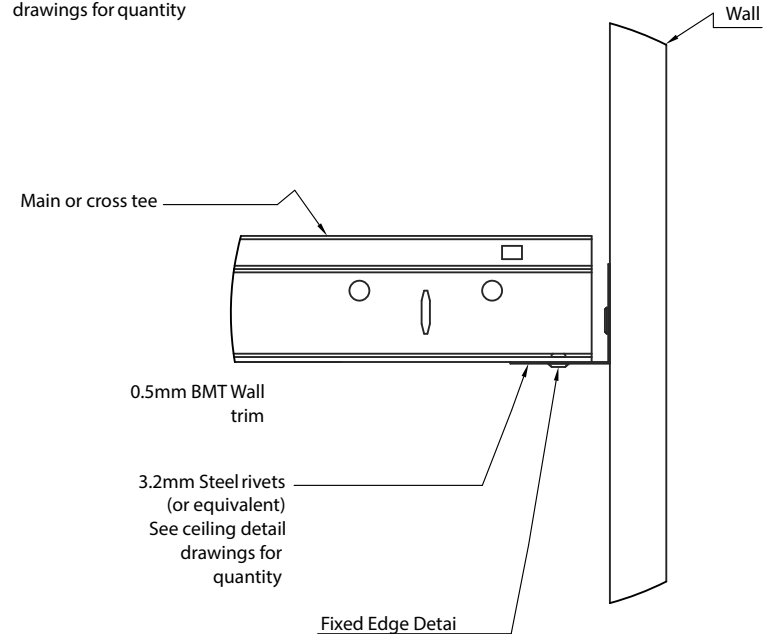
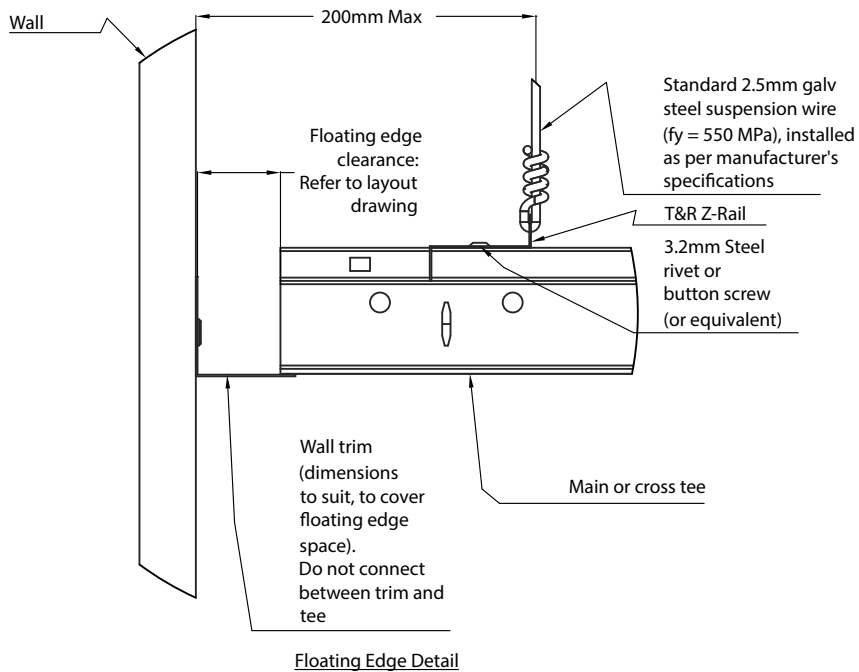
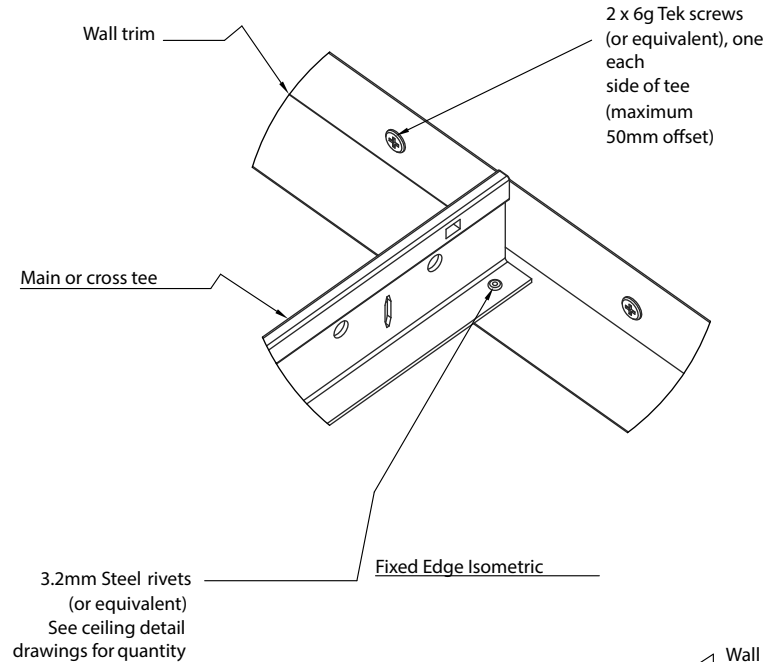
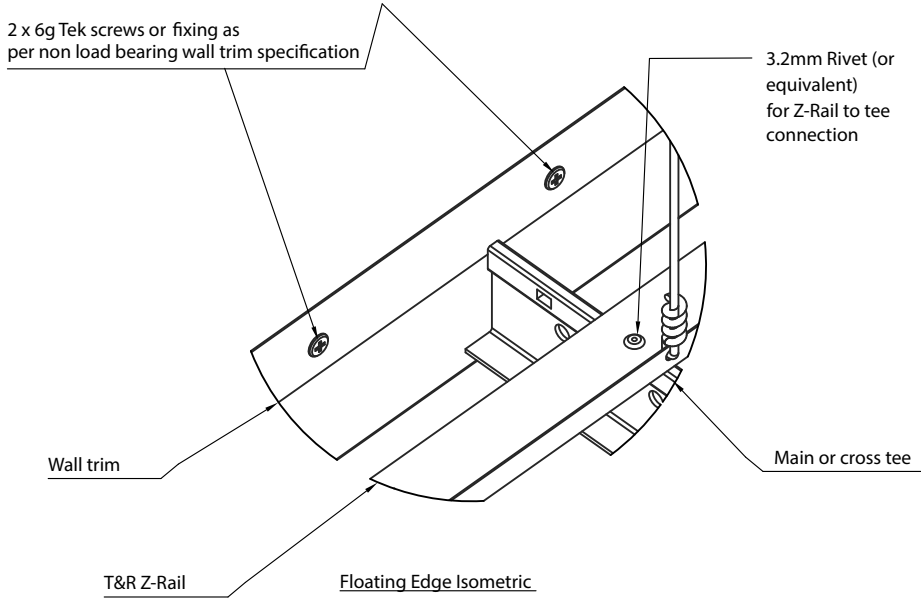
Must be used in conjunction with T&R's seismic system and not to be used with any other grid and/or system.

Not to be used as a substitute for engineering advice.

Title:
Generic Fixed and Floating Edge Detail, 24mm CBI Grid

Project: Seismic Detail

Scale: NTS



Note: Walls are to be fitted with a continuous dwang at ceiling height on walls where edge fixing is required, as per T&R seismic design guide.